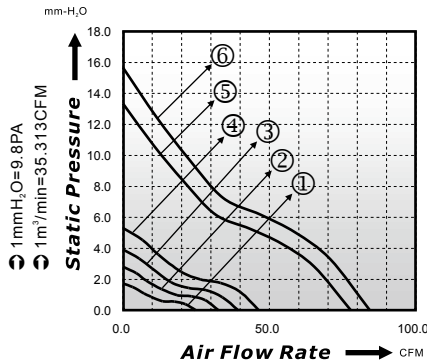


80x80x25mm

Model E

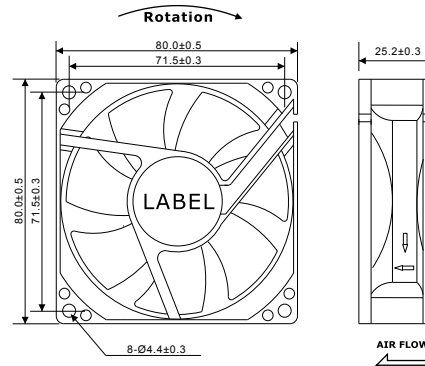


P-Q Curve (At Rated Voltage)



Dimensions Drawing

Unit: (mm)



| Model No | Bearing (*) | Rated Voltage (VDC) | Rated Current (A) | Power Consumption (Watts) | Speed (rpm) | Air Flow (CFM) | Static Pressure (mmH ₂ O) | Noise (dBA) | Curve |
|---------------|-------------|---------------------|-------------------|---------------------------|-------------|----------------|--------------------------------------|-------------|-------|
| ED08025-05L* | ○ ● ⊖ | 5 | 0.20 | 1.00 | 2000 | 25.32 | 1.60 | 23.7 | 1 |
| ED08025-05M* | ○ ● ⊖ | 5 | 0.30 | 1.50 | 2500 | 32.68 | 2.52 | 27.8 | 2 |
| ED08025-05H* | ○ ● ⊖ | 5 | 0.50 | 2.50 | 3000 | 39.66 | 3.50 | 33.1 | 3 |
| ED08025-12L* | ○ ● ⊖ | 12 | 0.08 | 0.96 | 2000 | 25.32 | 1.60 | 23.7 | 1 |
| ED08025-12M* | ○ ● ⊖ | 12 | 0.13 | 1.56 | 2500 | 32.68 | 2.52 | 27.8 | 2 |
| ED08025-12H* | ○ ● ⊖ | 12 | 0.18 | 2.16 | 3000 | 39.66 | 3.50 | 33.1 | 3 |
| ED08025-12HH* | ○ ● ⊖ | 12 | 0.28 | 3.36 | 3500 | 45.39 | 4.55 | 37.8 | 4 |
| ED08025-12VHB | ● | 12 | 0.75 | 9.00 | 6000 | 77.83 | 13.35 | 49.5 | 5 |
| ED08025-24L* | ○ ● ⊖ | 24 | 0.06 | 1.44 | 2000 | 25.32 | 1.60 | 23.7 | 1 |
| ED08025-24M* | ○ ● ⊖ | 24 | 0.09 | 2.16 | 2500 | 32.68 | 2.52 | 27.8 | 2 |
| ED08025-24H* | ○ ● ⊖ | 24 | 0.14 | 3.36 | 3000 | 39.66 | 3.50 | 33.1 | 3 |
| ED08025-24HH* | ○ ● ⊖ | 24 | 0.19 | 4.56 | 3500 | 45.39 | 4.55 | 37.8 | 4 |
| ED08025-24VHB | ● | 24 | 0.45 | 10.80 | 6500 | 84.32 | 15.67 | 51.5 | 6 |

* Bearing type: ○ Sleeve ● Two Ball ⊖ Hydro-Dynamic